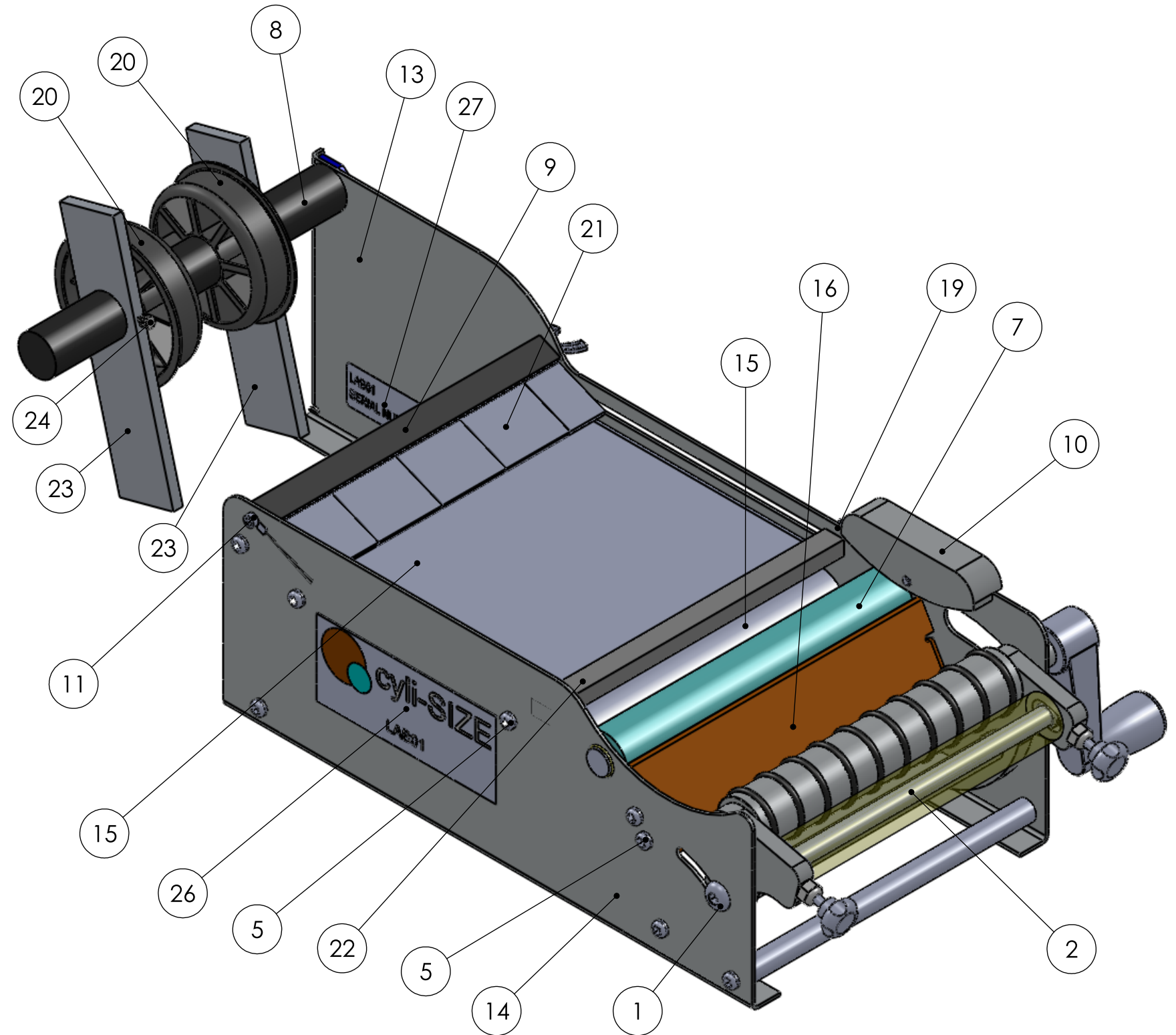


ITEM	PART NUMBER	DESCRIPTION	QTY
1	LAB01-001-1	BUTTON HEAD CS, #1/4-20X3/4"	2
2	LAB01-038	ASSY, ROCKING - LAB01	1
	LAB01-013-1	BUTTON HEAD SC, #10-32X1/4"	2
	LAB01-022	HOLDER SHAFT	1
	LAB01-025	FOUR LOBED KNOB, #10-32X1"	2
	LAB01-029	LOCK NUT, #10-32	2
	LAB01-031	SLEEVE BEARING, GSM-1012-08	2
	LAB01-027	BEARING - GFM-1517-09	2
	LAB01-017A	ASSY, URETHANE ROLLER, 1"	1
	LAB01-004	MOVING HOLD PANEL, RIGHT	1
	LAB01-005	MOVING HOLD PANEL, LEFT	1
	LAB01-011-1	ORING - ID 1.125 OD 1.375	10
	LAB01-011A	ROLLER, MOVING	1
3	LAB01-006	SPACER, ROUND	3
4	LAB01-007	ROLLER, LABEL HOLD DOWN, 1"	1
5	LAB01-008	BUTTON HEAD SC, #10-32X5/8"	19
6	LAB01-011-2	HAND CRANK, SCREW ON	1
7	LAB01-012A	ASSY, ROLLER URETHANE, 30mm	1
8	LAB01-016	ROLLER, 1"D x 7.70"L	1
9	LAB01-020M	BRUSH HOLDER - MODIFIED	1
10	LAB01-021	HOLDER POSITION PLATE	1
11	LAB01-030	SHCS, #8-32X5/8"L	1
12	LAB01-032	BEARING - GFM-1517-04	2
13	LAB01-033	BACK PLATE	1
14	LAB01-034	FRONT PLATE	1
15	LAB01-035	SHELF	1
16	LAB01-036	STRIP PLATE	1
17	LAB01-037	STIFFENER PLATE	1
18	LAB01-PKG	PACKAGING SET - BOX, FOAM, INSERT	1
19	OTS-005-01	WING BOLT, #10-32	2
20	OTS-012-01	SPOOL, THREE INCH	2
21	PRT-036-03	BRUSH	1
22	LD70026B	BRUSH HOLDER	1
23	LD50023A	REEL GUIDE ARM	2
24	LD50023-2	THUMBSCREW, #4-40X.375L	2
25	LD50010-2	HEX WRENCH, 5/32"	1
26	LAB01-LABEL	LABEL, LAB01	1
27	LAB01-SNLABEL	LABEL, SERIAL NUMBER	1
28	LAB01-HOLOGRAM	LAB01, HOLOGRAM	1



LAB01 Parts List